

# T 225 D

Tractor with long wheel base



# T 225 D

The tractor T 225 D is mostly used for shunting semi-trailers in distribution and logistic centres. The long wheel base of 3,500 mm provides considerably more space between semi-trailer and driver's cabin. Brake and power supply can be connected easily.

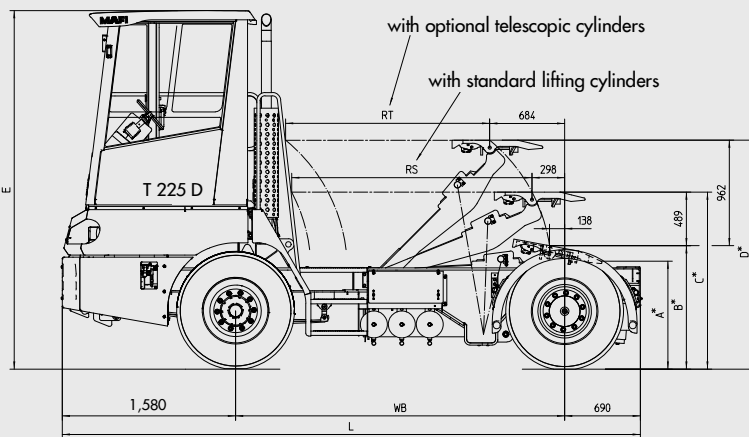
Safe, comfortable and effective performance is ensured. Special tyres provide the required low 5th wheel height (see table below); turning radius 7,400 mm. Please refer to the Technical Data sheet T 230 for further technical details and options.



Space between cabin and semi-trailer



Comfortable access to cabin



WB	3,500 mm
L	5,770 mm
RT	2,360 mm
RS	2,690 mm

Tyres	11.00R 20/ 12 R 22,5	315/60 R 22,5	295/ 60 R 22,5	
A	940 mm	930 mm	920 mm	Values A – D may be reduced by 50 mm at lowered rear axles air suspension. Value B may be increased by 25 mm with rubber mudguards
B	1,135 mm	1,010 mm	1,000 mm	
C	1,600 mm	1,530 mm	1,520 mm	
D	2,075 mm	2,000 mm	1,990 mm	
E	3,310 mm	3,240 mm	3,230 mm	

